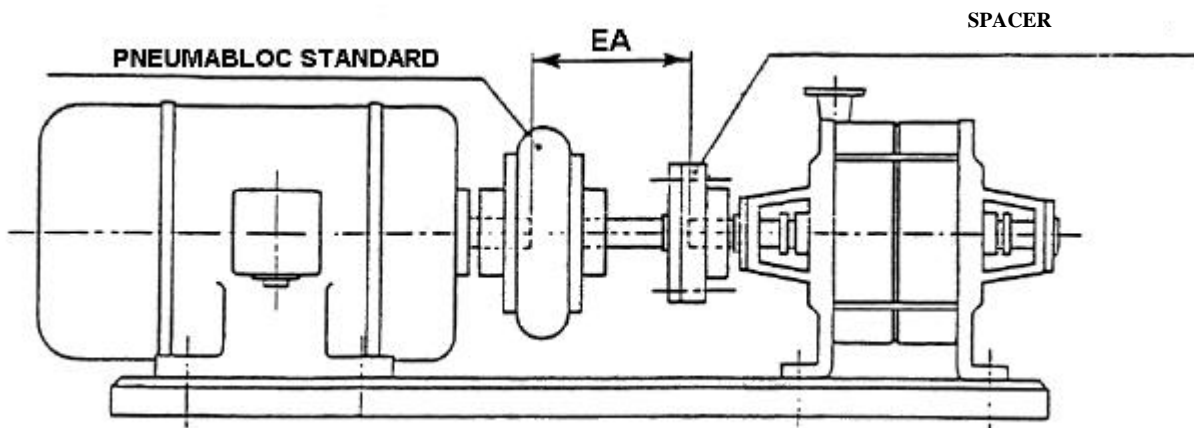


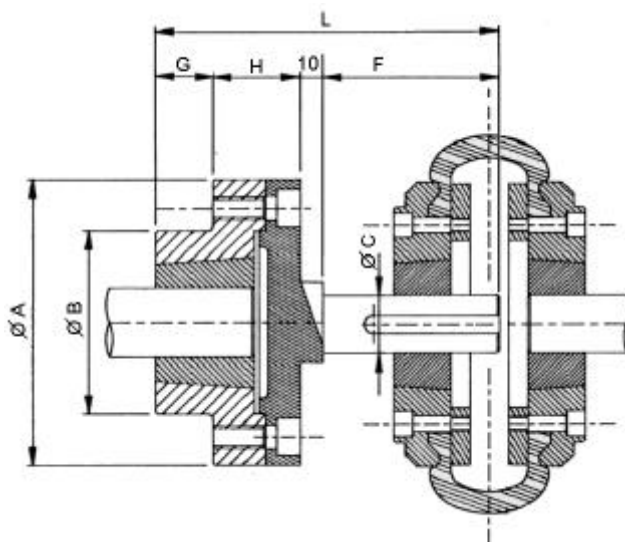
TYRE COUPLING PNEUMABLOC® :

SPACER

TECHNICAL DATA SHEET
84002 - 1/2 - 10/97 FICHE
TECHNIQUE



	EA						PNEUMABLOC	
	100	120	140	180	200	250	Selection	
PE 40.40 (1615)	X	X	X				PV 40	28.20
	X	X	X				PV 50	30.25
	X	X	X				PV 60	40.25
	X	X	X				PV 70	40.25
PE 65.45 (2517)	X	X	X	X			PV 80	50.30
	X	X	X	X			PV 90	65.45
	X	X	X	X			PV 100	65.45
	X	X	X	X			PV 110	65.45
PE 75.50 (3020)		X	X	X	X		PV 120	75.50
PE 90.90 (3535)				X		X	PV 140	90.90



Type	Spacer		EA	Dimensions (mm)						
	Designation	Bush		Ø A	Ø B	Ø C	F	G	H	L
PE 40.40 (1615)	PE 40 100 25	40.40 (1615)	100	125	80	25	51	22	38	121
	PE 40 120 25	40.40 (1615)	120	125	80	25	71	22	38	141
	PE 40 140 25	40.40 (1615)	140	125	80	25	91	22	38	161
PE 65.45 (2517)	PE 65 100 30	65.45 (2517)	100	180	120	30	62	25	40	137
	PE 65 120 30	65.45 (2517)	120	180	120	30	82	25	40	157
	PE 65 140 30	65.45 (2517)	140	180	120	30	102	25	40	177
	PE 65 180 30	65.45 (2517)	180	180	120	30	142	25	40	217
PE 75.50 (2520)	PE 75 120 50	75.50 (3020)	120	215	150	50	74	24	50	158
	PE 75 140 50	75.50 (3020)	140	215	150	50	94	24	50	178
	PE 75 180 50	75.50 (3020)	180	215	150	50	134	24	50	218
	PE 75 200 50	75.50 (3020)	200	215	150	50	154	24	50	238
PE 90.90 (3535)	PE 90 180 80	90.90 (3535)	180	250	180	60	125	54	60	249
	PE 90 250 80	90.90 (3535)	250	250	180	60	195	54	60	319

COLMANT CUVELIER S.A.

rue Greuze - B.P. 529 - 59022 LILLE CEDEX - FRANCE

tél : (33) 3 20 67 79 01 - fax : (33) 3 20 67 79 79

COLMANT CUVELIER
TRANSMISSION

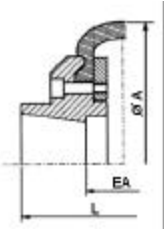
TYRE COUPLINGS PNEUMABLOC®:

SYMMETRICAL SPACER

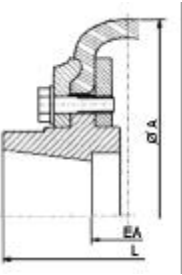
TECHNICAL DATA SHEET
84002 - 2/2 - 10/97 FICHE
TECHNIQUE

Spacer for variable inter-shaft

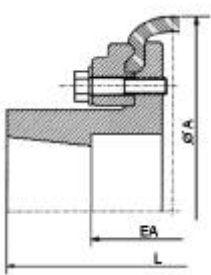
Size 40 to 60



Size 70 to 120

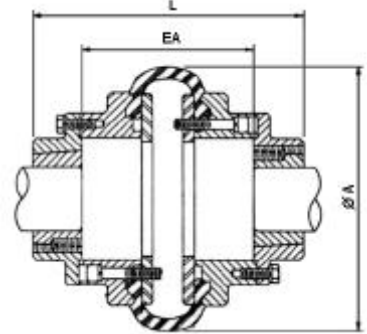


Size 140 to 240

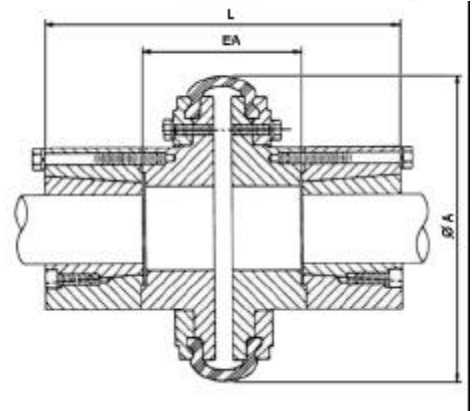


Spacer with symmetrical flanges

Size 40 to 120



Size 140 to 200



Size	Veco	max. Ø	Ø A	Variable inter-shaft	Symmetrical flanges
				max. EA	EA
40	28.20 (1108)	28	105	46	80 100 120
50	30.25 (1210)	30	133	43	80 100 120
60	40.25 (1610)	40	165	67	80 100 120 140
70	40.25 (1610)	40	187	84	100 120 140 160 180
80	50.30 (2012)	50	213	91	100 120 140 160 180
90	65.45 (2517)	65	235	58	100 120 140 160 180 200
100	65.45 (2517)	65	254	92	100 120 140 160 180 200
110	65.45 (2517)	65	279	122	100 120 140 160 180 200 220
120	75.50 (3020)	75	315	132	120 140 160 180 200 220
140	90.90 (3535)	90	359	120	160 180 200 220 250 300
160	100.100 (4040)	100	422	210	200 220 250 300
200	115.115 (4545)	115	508	263	250 300
240	125.125 (5050)	125	613	298	

The L dimension is obtained adding the EA dimension with twice the bush length (second number of the VECOBLOC bush code).

COLMANT CUVELIER S.A.

rue Greuze - B.P. 529 - 59022 LILLE CEDEX - FRANCE

tél : (33) 3 20 67 79 01 - fax : (33) 3 20 67 79 79

