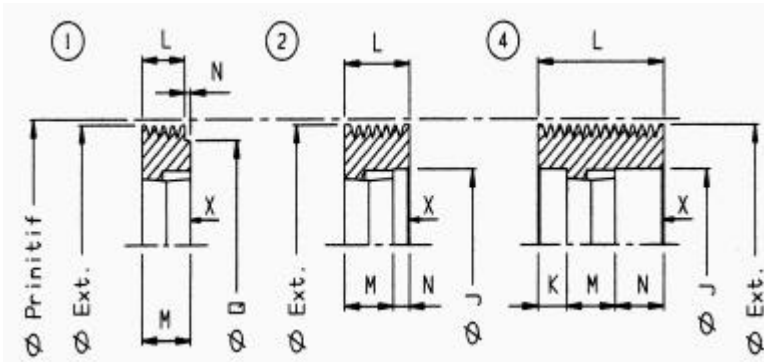
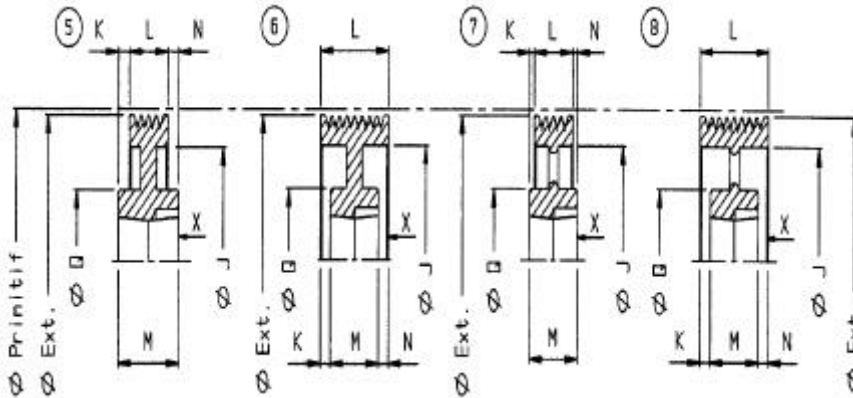


Types 1, 2 and 4 : Block pulleys

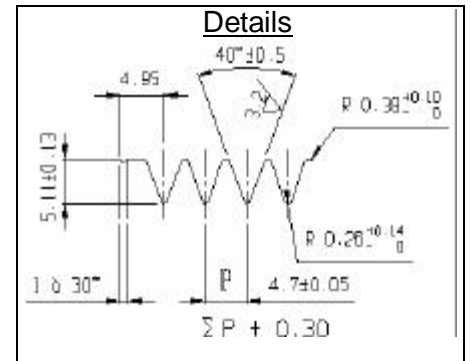


**INSTALLATION  
SIDE**  
←  
**OF THE STANTARD  
TAPER BUSH  
VECOBLOC SC**



Types 5 and 6 : Web pulleys

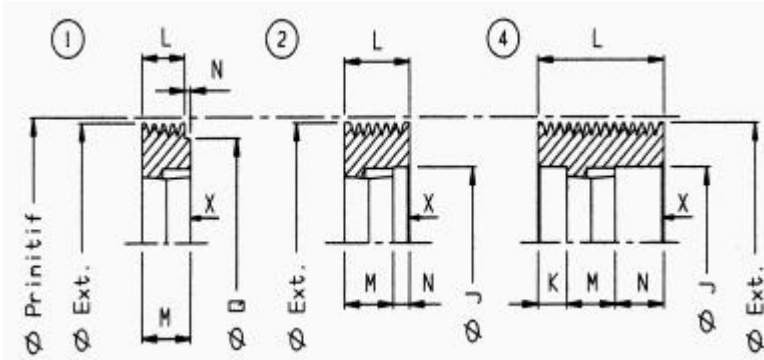
Types 7 and 8 : Spoked pulleys



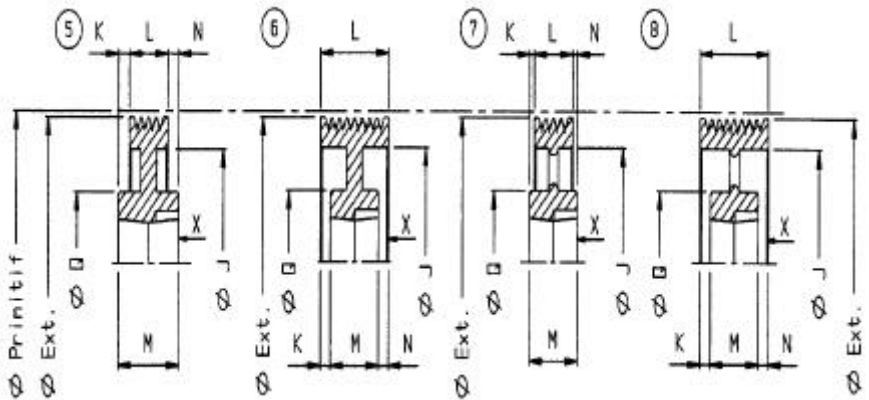
Pitch dia.(P) (Ø O)	Nb. Grooves	Bush VECOBLOC Std or SC	X*	Type	L	ØJ	K	M	N	ØQ	Weight kg	Pitch dia.(P) (Ø O)	Nb. Grooves	Bush VECOBLOC Std or SC	X*	Type	L	ØJ	K	M	N	ØQ	Weight kg																																																																																							
75 (70)	6	30.25 (12.10)	38	2	33.4	55	-	25	8.4	-	-	118 (113)	6	50.30 (20.12)	44	2	33	94	-	30	3.4	-	-	80 (75)	6	30.25 (12.10)	38	2	33.4	56	-	25	8.4	-	-	10	50.30 (20.12)	44	2	52	94	-	30	22	-	-																																																																
	8	30.25 (12.10)	38	2	42.8	55	-	25	17.8	-	-		12	50.30 (20.12)	44	2	62	94	-	30	32	-	-		16	50.30 (20.12)	44	4	80	94	25	30	25	-	-																																																																											
85 (80)	6	30.25 (12.10)	38	2	33.4	61	-	25	8.4	-	-		125 (120)	6	50.30 (20.12)	44	2	33	101	-	30	3.4	-	-	90 (85)	6	40.25 (16.10)	44	2	33.4	66	-	25	8.4	-	-	8	50.30 (20.12)	44	2	43	101	-	30	13	-	-																																																															
	8	30.25 (12.10)	38	2	42.8	61	-	25	17.8	-	-			10	50.30 (20.12)	44	2	52	101	-	30	22	-	-		12	50.30 (20.12)	44	2	62	101	-	30	32	-	-																																																																										
	10	30.3 (12.10)	38	2	52.2	61	-	25	27.2	-	-			16	50.30 (20.12)	44	4	80	101	25	30	25	-	-	20	65.45 (25.17)	52	4	99	94	27	45	27	-	-																																																																											
90 (85)	6	40.25 (16.10)	44	2	33.4	66	-	25	8.4	-	-			132 (127)	6	50.30 (20.12)	44	2	33	108	-	30	3.4	-	-	100 (95)	6	40.25 (16.10)	44	2	33.4	71	-	25	8.4	-	-	8	50.30 (20.12)	44	2	43	101	-	30	13	-	-																																																														
	8	40.25 (16.10)	44	2	42.8	66	-	25	17.8	-	-				10	50.30 (20.12)	44	2	52	101	-	30	22	-	-		12	50.30 (20.12)	44	2	62	101	-	30	32	-	-																																																																									
	10	40.3 (16.10)	44	2	52.2	66	-	25	27.2	-	-				16	50.30 (20.12)	44	4	80	101	25	30	25	-	-	20	65.45 (25.17)	52	4	99	101	27	45	27	-	-																																																																										
	12	40.25 (16.10)	44	2	61.6	66	-	25	36.6	-	-				6	50.30 (20.12)	44	2	33	108	-	30	3.4	-	-	8	50.30 (20.12)	44	2	43	108	-	30	13	-	-																																																																										
95 (90)	6	40.25 (16.10)	44	2	33.4	71	-	25	8.4	-	-				140 (135)	6	65.45 (25.17)	52	2	52	108	-	45	7.2	-	-	106 (106)	6	40.25 (16.10)	44	2	33.4	71	-	25	27.2	-	-	10	65.45 (25.17)	52	2	52	108	-	45	17	-	-																																																													
	8	40.25 (16.10)	44	2	42.8	71	-	25	17.8	-	-					12	65.45 (25.17)	52	2	62	108	-	45	17	-	-		16	65.45 (25.17)	52	4	80	108	18	45	18	-	-																																																																								
	10	40.3 (16.10)	44	2	52.2	71	-	25	27.2	-	-					20	65.45 (25.17)	52	4	99	108	27	45	27	-	-	6	65.45 (25.17)	52	1	33	-	-	45	12	120	-	-																																																																								
	12	40.25 (16.10)	44	2	61.6	71	-	25	36.6	-	-	8				65.45 (25.17)	52	1	43	-	-	45	2.2	120	-	-	10	65.45 (25.17)	52	2	52	116	-	45	7.2	-	-																																																																									
100 (95)	6	40.25 (16.10)	44	2	33.4	76	-	25	8.4	-	-	150 (145)				6	75.50 (30.20)	62	4	99	126	25	50	25	-	-	112 (107)	6	40.25 (16.10)	44	2	33.4	82	-	25	30.2	-	-	100 (95)	8	40.25 (16.10)	44	2	42.8	76	-	25	17.8	-	-	12	65.45 (25.17)	52	2	62	116	-	45	17	-	-																																																	
	8	40.25 (16.10)	44	2	42.8	76	-	25	17.8	-	-		16			65.45 (25.17)	52	4	80	116	18	45	18	-	-	20		75.50 (30.20)	62	4	99	126	25	50	25	-	-																																																																									
	10	40.3 (16.10)	44	2	52.2	76	-	25	27.2	-	-		6			65.45 (25.17)	52	1	33	-	-	45	12	120	-	-	8	65.45 (25.17)	52	1	43	-	-	45	2.2	120	-	-																																																																								
	12	40.25 (16.10)	44	2	61.6	76	-	25	36.6	-	-		8			65.45 (25.17)	52	1	43	-	-	45	2.2	120	-	-	10	65.45 (25.17)	52	2	52	126	-	45	17	-	-																																																																									
106 (106)	6	40.25 (16.10)	44	2	33.4	82	-	30	12.8	-	-		160 (155)	6		65.45 (25.17)	52	1	33	-	-	45	12	120	-	-	106 (106)	8	50.30 (20.12)	44	2	42.8	82	-	30	12.8	-	-	112 (107)	10	50.30 (20.12)	44	2	52.2	76	-	30	22.2	-	-	100 (95)	12	65.45 (25.17)	52	2	62	126	-	45	17	-	-	106 (106)	12	50.30 (20.12)	44	2	61.6	82	-	30	31.6	-	-	112 (107)	16	65.45 (25.17)	52	4	80	116	18	45	18	-	-	106 (106)	16	50.30 (20.12)	44	4	80.4	82	25	30	25.2	-	-	112 (107)	20	75.50 (30.20)	62	4	99	136	25	50	25	-	-
	8	50.30 (20.12)	44	2	52.2	76	-	30	22.2	-	-			6		65.45 (25.17)	52	1	33	-	-	45	12	120	-	-		112 (107)	8	50.30 (20.12)	44	2	42.8	88	-	30	12.8	-		-	112 (107)	8	65.45 (25.17)	52	1	43	-	-	45	2.2		120	-	-	112 (107)	10	50.30 (20.12)	44	2	52.2	82	-		30	22.2	-	-	112 (107)	10	65.45 (25.17)	52	2	52	136		-	45	7.2	-	-	112 (107)	12	65.45 (25.17)	52	2	62		136	-	45	17	-	-																	
	10	50.30 (20.12)	44	2	52.2	88	-	30	22.2	-	-			8		65.45 (25.17)	52	1	43	-	-	45	2.2	120	-	-	112 (107)		12	50.30 (20.12)	44	2	61.6	88	-	30	31.6	-	-	112 (107)		12	65.45 (25.17)	52	2	62	136	-	45	17	-	-	112 (107)	16		65.45 (25.17)	52	4	80	136	18	45	18	-	-																																													
	12	50.30 (20.12)	44	2	61.6	88	-	30	31.6	-	-			16		65.45 (25.17)	52	4	80	136	18	45	18	-	-	112 (107)		20	75.50 (30.20)	62	4	99	136	25	50	25	-	-																																																																								
16	50.30 (20.12)	44	4	80.4	88	25	30	25.2	-	-	20			75.50 (30.20)	62	4	99	136	25	50	25	-	-																																																																																							

\* installation length for the VECOBLOC SC bush  
FGL 250 cast iron, Protection by phosphatation or black paint, G 6,3 static balance at 650 rpm.

Types 1, 2 and 4 : Block pulleys

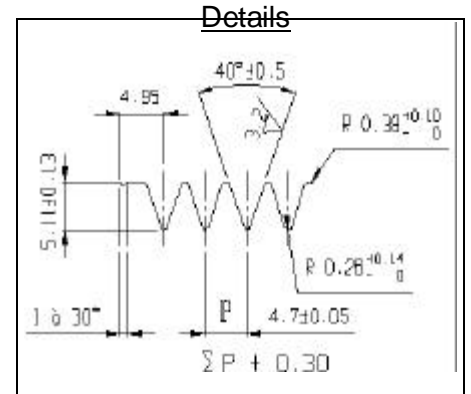


**INSTALLATION SIDE**  
←  
**OF THE STANTARD TAPER BUSH VECOBLOC SC**



Types 5 and 6 : Web pulleys

Types 7 and 8 : Spoked pulleys



Pitch dia.(P) (Ø O)	Nb. Grooves	Bush VECOBLOC Std or SC	X*	Type	L	ØJ	K	M	N	ØQ	Weight kg	Pitch dia.(P) (Ø O)	Nb. Grooves	Bush VECOBLOC Std or SC	X*	Type	L	ØJ	K	M	N	ØQ	Weight kg																								
170 (165)	6	65.45 (25.17)	52	1	33.4	-	-	45	11.6	120	-	250 (245)	6	65.45 (25.17)	52	1	33.4	-	-	45	11.6	120	-	280 (275)	6	65.45 (25.17)	52	7	33.4	256	1.1	45	1.1	120	-												
	8	65.45 (25.17)	52	1	42.8	-	-	45	2.2	120	-		8	65.45 (25.17)	52	7	42.8	256	1.1	45	1.1	120	-		8	65.45 (25.17)	52	7	42.8	256	1.1	45	1.1	120	-												
	10	65.45 (25.17)	52	2	52.2	146	-	45	7.2	-	-		10	75.50 (30.20)	62	2	52.2	226	-	50	2.2	-	-		10	75.50 (30.20)	62	2	52.2	256	-	50	2.2	-	-												
	12	65.45 (25.17)	52	2	61.6	146	-	45	16.6	-	-		12	75.50 (30.20)	62	2	61.6	226	-	50	11.6	-	-		12	75.50 (30.20)	62	2	61.6	256	-	50	11.6	-	-												
	16	65.45 (25.17)	52	4	80.4	146	17.7	45	17.7	-	-		16	75.50 (30.20)	62	2	80.4	226	-	50	30.4	-	-		16	75.50 (30.20)	62	2	80.4	226	-	50	30.4	-	-												
20	75.50 (30.20)	62	4	99.2	146	24.6	50	24.6	-	-	20	90.90 (35.35)	67	2	99.2	226	-	90	9.2	-	-	20	90.90 (35.35)	67	2	99.2	226	-	90	9.2	-	-															
180 (175)	6	65.45 (25.17)	52	1	33.4	-	-	45	11.6	120	-	315 (310)	6	65.45 (25.17)	52	7	33.4	291	5.8	45	5.8	120	-	355 (350)	6	65.45 (25.17)	52	7	33.4	331	5.8	45	5.8	120	-	400 (395)	6	65.45 (25.17)	52	7	33.4	371	5.8	45	5.8	120	-
	8	65.45 (25.17)	52	1	42.8	-	-	45	2.2	120	-		8	65.45 (25.17)	52	7	42.8	291	1.1	45	1.1	120	-		8	65.45 (25.17)	52	7	42.8	371	1.1	45	1.1	120	-												
	10	65.45 (25.17)	52	2	52.2	166	-	45	7.2	-	-		10	90.90 (35.35)	67	5	52.2	291	18.9	90	18.9	185	-		10	90.90 (35.35)	67	5	52.2	371	1.1	45	1.1	120	-												
	12	65.45 (25.17)	52	2	61.6	166	-	45	16.6	-	-		12	90.90 (35.35)	67	5	61.6	291	14.2	90	14.2	185	-		12	90.90 (35.35)	67	5	61.6	371	1.1	45	1.1	120	-												
	16	65.45 (25.17)	52	4	80.4	166	17.7	45	17.7	-	-		16	90.90 (35.35)	67	5	80.4	291	4.8	90	4.8	185	-		16	90.90 (35.35)	67	5	80.4	371	1.1	45	1.1	120	-												
20	75.50 (30.20)	62	4	99.2	166	24.6	50	24.6	-	-	20	90.90 (35.35)	67	6	99.2	256	4.6	90	4.6	185	-	20	90.90 (35.35)	67	6	99.2	371	1.1	45	1.1	120	-															
190 (185)	6	65.45 (25.17)	52	1	33.4	-	-	45	11.6	120	-	355 (350)	6	65.45 (25.17)	52	7	33.4	331	5.8	45	5.8	120	-	450 (445)	6	75.50 (30.20)	62	7	33.4	426	8.3	50	8.3	180	-												
	8	65.45 (25.17)	52	1	42.8	-	-	45	2.2	120	-		8	65.45 (25.17)	52	7	42.8	291	1.1	45	1.1	120	-		8	75.50 (30.20)	62	7	42.8	426	3.6	50	3.6	180	-												
	10	65.45 (25.17)	52	2	52.2	166	-	45	7.2	-	-		10	90.90 (35.35)	67	5	52.2	291	18.9	90	18.9	185	-		10	90.90 (35.35)	67	5	52.2	426	18.9	90	18.9	180	-												
	12	65.45 (25.17)	52	2	61.6	166	-	45	16.6	-	-		12	90.90 (35.35)	67	5	61.6	291	14.2	90	14.2	185	-		12	90.90 (35.35)	67	5	61.6	426	14.2	90	14.2	180	-												
	16	75.50 (30.20)	62	2	80.4	166	-	50	30.4	-	-		16	90.90 (35.35)	67	5	80.4	291	4.8	90	4.8	185	-		16	90.90 (35.35)	67	5	80.4	426	4.8	90	4.8	178	-												
20	75.50 (30.20)	62	4	99.2	166	24.6	50	24.6	-	-	20	90.90 (35.35)	67	6	99.2	256	4.6	90	4.6	185	-	20	90.90 (35.35)	67	6	99.2	426	4.8	90	4.8	180	-															
200 (195)	6	65.45 (25.17)	52	1	33.4	-	-	45	11.6	120	-	400 (395)	6	65.45 (25.17)	52	7	33.4	331	5.8	45	5.8	120	-	500 (495)	6	75.50 (30.20)	62	7	33.4	476	8.3	50	8.3	180	-												
	8	65.45 (25.17)	52	5	42.8	176	1.1	45	1.1	126	-		8	65.45 (25.17)	52	7	42.8	331	1.1	45	1.1	120	-		8	75.50 (30.20)	62	7	42.8	476	3.6	50	3.6	180	-												
	10	75.50 (30.20)	62	2	52.2	176	-	50	2.2	-	-		10	90.90 (35.35)	67	7	52.2	331	18.9	90	18.9	180	-		10	90.90 (35.35)	67	7	52.2	476	18.9	90	18.9	180	-												
	12	75.50 (30.20)	62	2	61.6	176	-	50	11.6	-	-		12	90.90 (35.35)	67	7	61.6	376	14.2	90	14.2	180	-		12	90.90 (35.35)	67	7	61.6	476	14.2	90	14.2	180	-												
	16	75.50 (30.20)	62	2	80.4	176	-	50	30.4	-	-		16	90.90 (35.35)	67	7	80.4	376	4.8	90	4.8	178	-		16	90.90 (35.35)	67	7	80.4	476	4.8	90	4.8	178	-												
20	90.90 (35.35)	67	2	99.2	176	-	90	9.2	-	-	20	90.90 (35.35)	67	7	99.2	426	4.8	90	4.8	180	-	20	90.90 (35.35)	67	7	99.2	476	4.8	90	4.8	180	-															
212 (207)	6	65.45 (25.17)	52	1	33.4	-	-	45	11.6	120	-	450 (445)	6	75.50 (30.20)	62	7	33.4	426	8.3	50	8.3	180	-	630 (625)	6	75.50 (30.20)	62	7	33.4	606	8.3	50	8.3	180	-												
	8	65.45 (25.17)	52	1	42.8	-	-	45	2.2	120	-		8	65.45 (25.17)	52	7	42.8	331	1.1	45	1.1	120	-		8	75.50 (30.20)	62	7	42.8	606	3.6	50	3.6	180	-												
	10	75.50 (30.20)	62	2	52.2	188	-	50	2.2	-	-		10	90.90 (35.35)	67	7	52.2	376	18.9	90	18.9	180	-		10	90.90 (35.35)	67	7	52.2	476	18.9	90	18.9	180	-												
	12	75.50 (30.20)	62	2	61.6	188	-	50	11.6	-	-		12	90.90 (35.35)	67	7	61.6	376	14.2	90	14.2	180	-		12	90.90 (35.35)	67	7	61.6	476	14.2	90	14.2	180	-												
	16	75.50 (30.20)	62	2	80.4	188	-	50	30.4	-	-		16	90.90 (35.35)	67	7	80.4	426	3.6	50	3.6	180	-		16	90.90 (35.35)	67	7	80.4	606	3.6	50	3.6	180	-												
20	90.90 (35.35)	67	2	99.2	188	-	90	9.2	-	-	20	90.90 (35.35)	67	7	99.2	426	4.8	90	4.8	180	-	20	90.90 (35.35)	67	7	99.2	606	4.8	90	4.8	180	-															
224 (219)	6	65.45 (25.17)	52	1	33.4	-	-	45	11.6	120	-	500 (495)	6	75.50 (30.20)	62	7	33.4	476	8.3	50	8.3	180	-	800 (795)	6	90.90 (35.35)	67	7	33.4	770	28.3	90	28.3	180	-												
	8	65.45 (25.17)	52	5	42.8	200	1.1	45	1.1	120	-		8	65.45 (25.17)	52	7	42.8	331	1.1	45	1.1	120	-		8	90.90 (35.35)	67	7	42.8	770	23.6	90	23.6	180	-												
	10	75.50 (30.20)	62	2	52.2	200	-	50	2.2	-	-		10	90.90 (35.35)	67	7	52.2	376	18.9	90	18.9	180	-		10	90.90 (35.35)	67	7	52.2	606	18.9	90	18.9	180	-												
	12	75.50 (30.20)	62	2	61.6	200	-	50	11.6	-	-		12	90.90 (35.35)	67	7	61.6	476	14.2	90	14.2	180	-		12	90.90 (35.35)	67	7	61.6	606	14.2	90	14.2	180	-												
	16	75.50 (30.20)	62	2	80.4	200	-	50	30.4	-	-		16	90.90 (35.35)	67	7	80.4	426	4.8	90	4.8	180	-		16	90.90 (35.35)	67	7	80.4	770	28.3	90	28.3	180	-												
20	90.90 (35.35)	67	2	99.2	200	-	90	9.2	-	-	20	90.90 (35.35)	67	7	99.2	476	4.8	90	4.8	180	-	20	90.90 (35.35)	67	7	99.2	770	23.6	90	23.6	180	-															
236 (231)	6	65.45 (25.17)	52	1	33.4	-	-	45	11.6	120	-	630 (6																																			