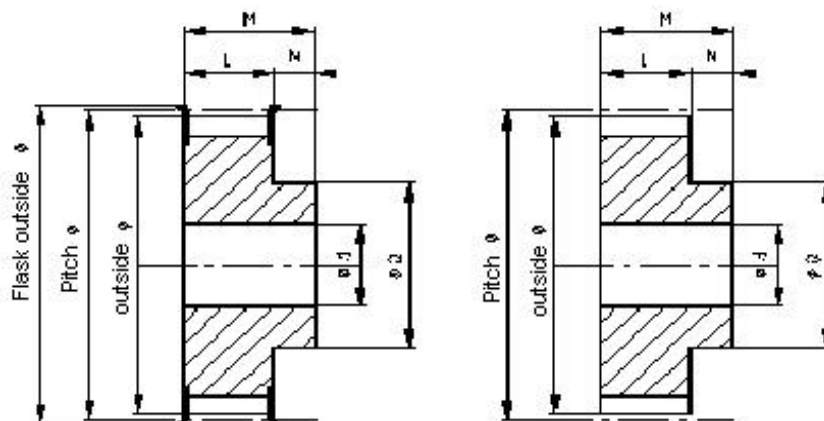


**DIMENSIONAL FEATURES**



Type 1

Type 2

**Designation**

21	T5	20	F
Total width (M)	Pitch	Nb. of teeth	flasked

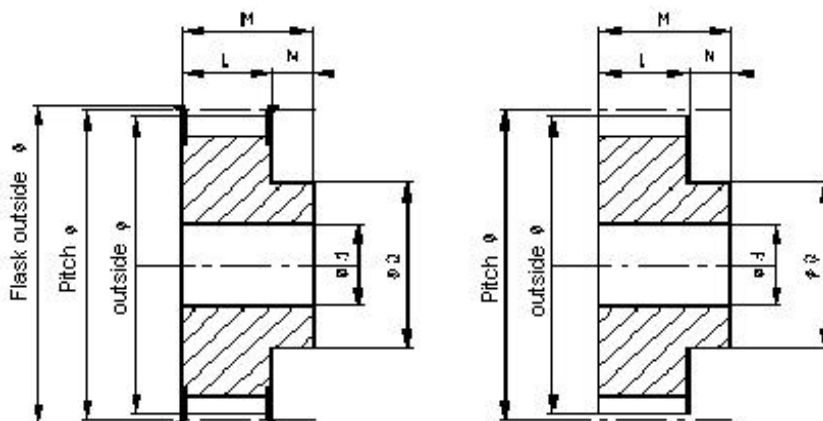
**Pitch T5 (5 mm) for Timing Belt - Width 10 mm**

	Pitch $\phi$ (outside $\phi$ )									
21T512F	19.10 (18.25)	1	6	6	15	23	21	6	11	0.016
21T514F	22.28 (21.45)	1	6	8	15	25	21	6	14	0.019
21T516F	25.46 (24.60)	1	6	10	15	32	21	6	18	0.025
21T518F	28.65 (27.80)	1	6	12	15	32	21	6	20	0.031
21T520F	31.83 (31.00)	1	6	14	15	36	21	6	23	0.038
21T522F	35.01 (34.25)	1	6	14	15	38	21	6	24	0.046
21T524F	38.20 (37.40)	1	6	15	15	42	21	6	26	0.054
21T525F	39.79 (39.00)	1	6	15	15	44	21	6	26	0.058
21T526F	41.38 (40.60)	1	6	15	15	44	21	6	26	0.061
21T527F	42.97 (42.20)	1	8	19	15	48	21	6	30	0.064
21T528F	44.56 (43.75)	1	8	19	15	48	21	6	32	0.068
21T530F	47.75 (46.95)	1	8	22	15	51	21	6	34	0.075
21T532F	50.93 (50.10)	1	8	24	15	54	21	6	38	0.088
21T536F	57.30 (56.45)	1	8	24	15	63	21	6	38	0.114
21T540F	63.66 (62.85)	1	8	24	15	66	21	6	40	0.138
21T544F	70.03 (69.20)	2	8	28	15		21	6	45	0.174
21T548F	76.39 (75.55)	2	8	32	15		21	6	50	0.200
21T560F	95.49 (94.65)	2	8	42	15		21	6	65	0.307

\* with keying : Norm NFE 22175

Cast iron FGL 250, Protection by phosphatation or black paint.

**DIMENSIONAL FEATURES**



Type 1

Type 2

**Designation**

27	T5	20	F
Total width (M)	Pitch	Nb. of teeth	flasked

**Teilung T5 (5 mm) for Timing Belt - Width 16mm**

	Pitch $\phi$ (outside $\phi$ )										
27T512F	19.10 (18.25)	1	6	6	21		23	27	6	11	0.022
27T514F	22.28 (21.45)	1	6	8	21		25	27	6	14	0.026
27T516F	25.46 (24.60)	1	6	10	21		32	27	6	18	0.035
27T518F	28.65 (27.80)	1	6	12	21		32	27	6	20	0.043
27T520F	31.83 (31.00)	1	6	14	21		36	27	6	23	0.053
27T522F	35.01 (34.25)	1	6	14	21		38	27	6	24	0.065
27T524F	38.20 (37.40)	1	6	15	21		42	27	6	26	0.076
27T525F	39.79 (39.00)	1	6	15	21		44	27	6	26	0.082
27T526F	41.38 (40.60)	1	6	15	21		44	27	6	26	0.085
27T527F	42.97 (42.20)	1	8	19	21		48	27	6	30	0.090
27T528F	44.56 (43.75)	1	8	19	21		48	27	6	32	0.098
27T530F	47.75 (46.95)	1	8	22	21		51	27	6	34	0.105
27T532F	50.93 (50.10)	1	8	24	21		54	27	6	38	0.123
27T536F	57.30 (56.45)	1	8	24	21		63	27	6	38	0.160
27T540F	63.66 (62.85)	1	8	24	21		66	27	6	40	0.193
27T544F	70.03 (69.20)	2	8	28	21			27	6	45	0.234
27T548F	76.39 (75.55)	2	8	32	21			27	6	50	0.280
27T560F	95.49 (94.65)	2	8	42	21			27	6	65	0.430

\* with keying : Norm NFE 22175

Cast iron FGL 250, Protection by phosphatation or black paint.

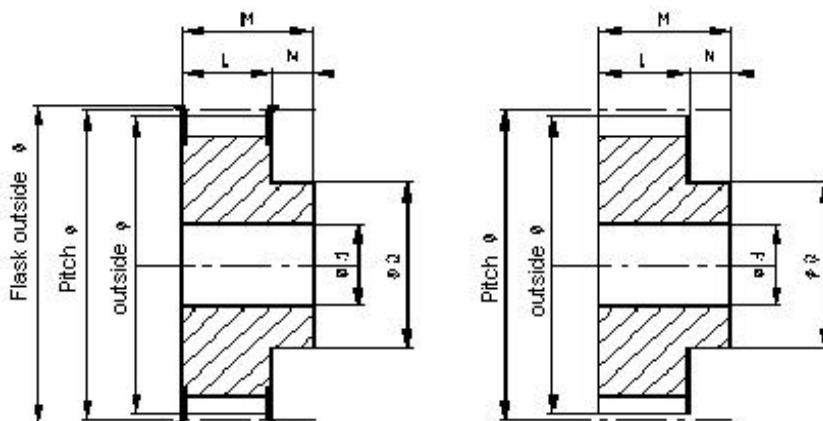
**COLMANT CUVELIER S.A.**

rue Greuze - B.P. 529 - 59022 LILLE CEDEX - FRANCE

tél : (33) 03 20 67 79 01 - fax : (33) 03 20 67 79 79



**DIMENSIONAL FEATURES**



Type 1

Type 2

**Designation**

36	T5	20	F
Total width (M)	Pitch	Nb. of teeth	flasked

**Teilung T5 (5 mm) for Timing Belt - Width 25mm**

	Pitch $\phi$ (outside $\phi$ )										
36T512F	19.10 (18.25)	1	6	6	30		23	36	6	11	0.031
36T514F	22.28 (21.45)	1	6	8	30		25	36	6	14	0.037
36T516F	25.46 (24.60)	1	6	10	30		32	36	6	18	0.050
36T518F	28.65 (27.80)	1	6	12	30		32	36	6	20	0.061
36T520F	31.83 (31.00)	1	6	14	30		36	36	6	23	0.076
36T522F	35.01 (34.25)	1	6	14	30		38	36	6	24	0.090
36T524F	38.20 (37.40)	1	6	15	30		42	36	6	26	0.109
36T525F	39.79 (39.00)	1	6	15	30		44	36	6	26	0.116
36T526F	41.38 (40.60)	1	6	15	30		44	36	6	26	0.124
36T527F	42.97 (42.20)	1	8	19	30		48	36	6	30	0.128
36T528F	44.56 (43.75)	1	8	19	30		48	36	6	32	0.140
36T530F	47.75 (46.95)	1	8	22	30		51	36	6	34	0.150
36T532F	50.93 (50.10)	1	8	24	30		54	36	6	38	0.176
36T536F	57.30 (56.45)	1	8	24	30		63	36	6	38	0.230
36T540F	63.66 (62.85)	1	8	24	30		66	36	6	40	0.276
36T544F	70.03 (69.20)	2	8	28	30			36	6	45	0.344
36T548F	76.39 (75.55)	2	8	32	30			36	6	50	0.400
36T560F	95.49 (94.65)	2	8	42	30			36	6	65	0.614

\* with keying : Norm NFE 22175

Cast iron FGL 250, Protection by phosphatation or black paint.

**COLMANT CUVELIER S.A.**

rue Greuze - B.P. 529 - 59022 LILLE CEDEX - FRANCE

tél : (33) 03 20 67 79 01 - fax : (33) 03 20 67 79 79

